

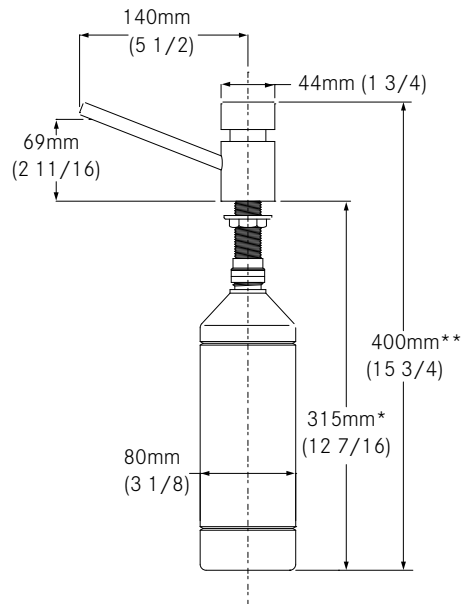
Chronos

SD80V SD80V-EXT

Soap Dispenser



- Material :** Manufactured from chrome plated brass and incorporates a replaceable 1 litre polyethylene container
- Finish :** Chrome
- Suitable Content :** Liquid soap
- Installation :** Installation hole diameter required is 35mm
- Models :**
 - SD80V - Regular
 - SD80V-EXT - With Galvanized Extension and extended tube



With Extension

* = 16" (406mm)

** = 19 1/4" (489mm)

Franke Commercial #SD80V Luxury Soap Dispenser, deck mounted, C.P., individual all purpose, solid cast brass body, stainless steel working parts, liquid type with large 34 oz. (1.02L) container and tamper-resistant top fill locking spout. Provide 7/8" (22mm) diameter hole in basin (or counter top) for mounting of soap dispenser and comply to local codes for barrier-free requirements. (For valve body extension and extended tube add suffix '-EXT')